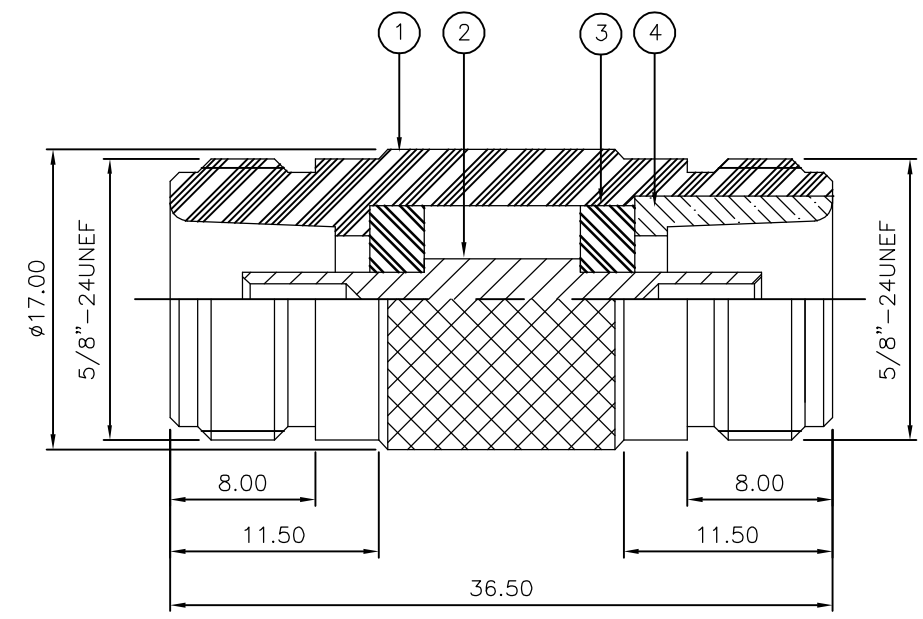


THIS DRAWING IS UNPUBLISHED. RELEASED FOR PUBLICATION MAY ,2006.
 © COPYRIGHT 2006 BY TYCO ELECTRONICS CORPORATION. ALL RIGHTS RESERVED.

LOC	DIST	REVISIONS					
E	B	P	LTR	DESCRIPTION	DATE	DWN	APVD
		C		ECR-06-010127	17MAY06	JMS	FWK

- NOTES:
- ① PACK IN ACCORDANCE WITH AMP SPEC 107-3275
 - ② 100 TRAY PACK IN ACCORDANCE WITH AMP SPEC 107-3275
 - ③ Au PLATING
 - ④ Ni PLATING
- 5 ELECTRICAL CHARACTERISTICS
- | | |
|-------------------------------|-----------------------------|
| FREQUENCY RANGE: | DC - 11 GHz |
| NOMINAL IMPEDANCE: | 50 Ohm |
| INSULATION RESISTANCE: | 5000 MOhm |
| WORKING VOLTAGE: | 1000 Volts RMS at Sea Level |
| DIELECTRIC WITHSTAND VOLTAGE: | 2500 Volts RMS Max |
| CONTACT RESISTANCE: | |
| CENTRE CONTACT: | 1.00 mOhm Max |
| OUTER CONTACT: | 1.00 mOhm Max |
| VSWR @ xGHz: | N/A |
| INSERTION LOSS xdb: | N/A |
- 6 MECHANICAL CHARATERISTICS
- | | |
|---------------------------|----------------|
| COUPLING RETENTION FORCE: | 445N Min |
| DURABILITY: | 500 Cycles Min |
- 7 ENVIRONMENTAL CHARACTERISTICS
- | | |
|------------------------|------------------|
| OPERATING TEMPERATURE: | -65 to +165 DegC |
|------------------------|------------------|
- 8 FOR TECHNICAL DATA REFER TO YOUR LOCAL TYCO ELECTRONICS SALES OFFICE
- 9 ALL DIMENSIONS ARE NOMINAL FOR REFERENCE ONLY UNLESS OTHERWISE STATED



QTY	QTY PER ASSY	MATERIAL	DESCRIPTION	ITEM
1	1	BRASS	④ SLEEVE	4
2	2	PTFE	② INSULATION	3
1	1	BRASS	③ CONTACT	2
1	1	BRASS	④ BODY	1
6--0	1--0			
①	①			

THIS DRAWING IS A CONTROLLED DOCUMENT.		DWN	J.SANDWELL	17MAY06	Tyco Electronics Corporation Bideford EX39 4HE					
DIMENSIONS: mm		CHK	S.PARLOW	17MAY06				NAME		
TOLERANCES UNLESS OTHERWISE SPECIFIED:		APVD	F.WHEELER-KING	17MAY06				TYPE 'N' STRAIGHT ADAPTOR J-J 50 OHM		
0 PLC ± - 1 PLC ± - 2 PLC ± - 3 PLC ± - 4 PLC ± - ANGLES ± -		PRODUCT SPEC	-					-		
MATERIAL SEE TABLE		FINISH	-		SIZE	CAGE CODE	DRAWING NO	RESTRICTED TO		
			-		A3	00779	C-1337624	-		
CUSTOMER DRAWING					SCALE	NTS	SHEET	1 OF 1		
					REV	C				